

毅達工程顧問有限公司
A-Tech Engineering Consultants Limited

Date: 29th November 2024

Dear Sir / Madam,

Submission of Stormwater Drainage Proposal
On Lot 168 S.A in D.D. 118
Nam Hang Tsuen, Shap Pat Heung, Yuen Long, N.T.

We would like to submit the attached Stormwater Drainage Proposal for the captioned for your comments and approval.

For your information, the same proposal was submitted in 2016 which had been approved. Meanwhile, we have enclosed the “acceptable” letter issued by Planning Department with this document as well.

We are looking forward to your reply on the attached proposal. Should you have any queries, please feel free to contact our Project Manager, Mr. Wu at Tel. No. 9607 7207.

Thank you for your kind attention.

Yours faithfully,
For and on behalf of
A-Tech Engineering Consultants Ltd.

For and on behalf of
A - TECH ENGINEERING CONSULTANTS LIMITED
毅達工程顧問有限公司

胡志子

.....
Authorized Signature(s)

Mr. Wu Wai Ching
Project Manager



LEGEND

- CP Proposed CatchPit
- +18.0 Proposed Formation Level
- Proposed 225UC (1:100) with Cast Iron Cover
- FALL Fall Direction
- Existing 225UC
- Proposed Septic Tank (Indicative only, not for approval)

Note:

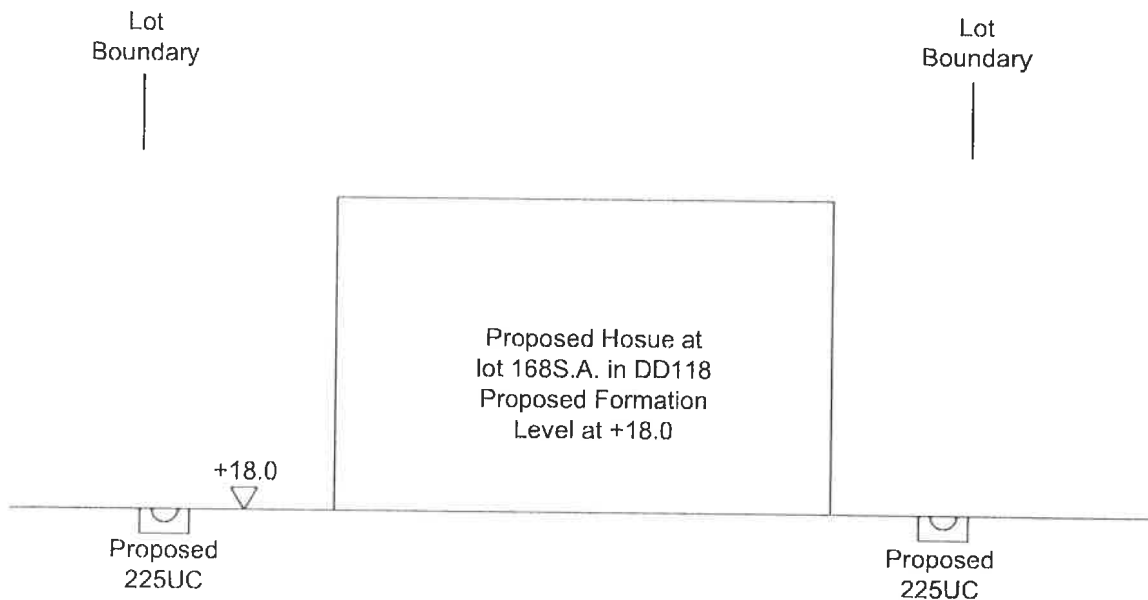
1. No solid fence wall to be erected.
2. Catchpits (CP3) shall follow CEDD standard drawing C24061.
3. Catchpit and UC follows Typical Details of Geotechnical Manual for Slope Fig.8.10 and Fig.8.11 respectively.
4. The cover of proposed UC and catchpit shall flush with adjoining ground level.

毅達工程顧問有限公司
A-Tech ENGINEERING
CONSULTANTS LTD.

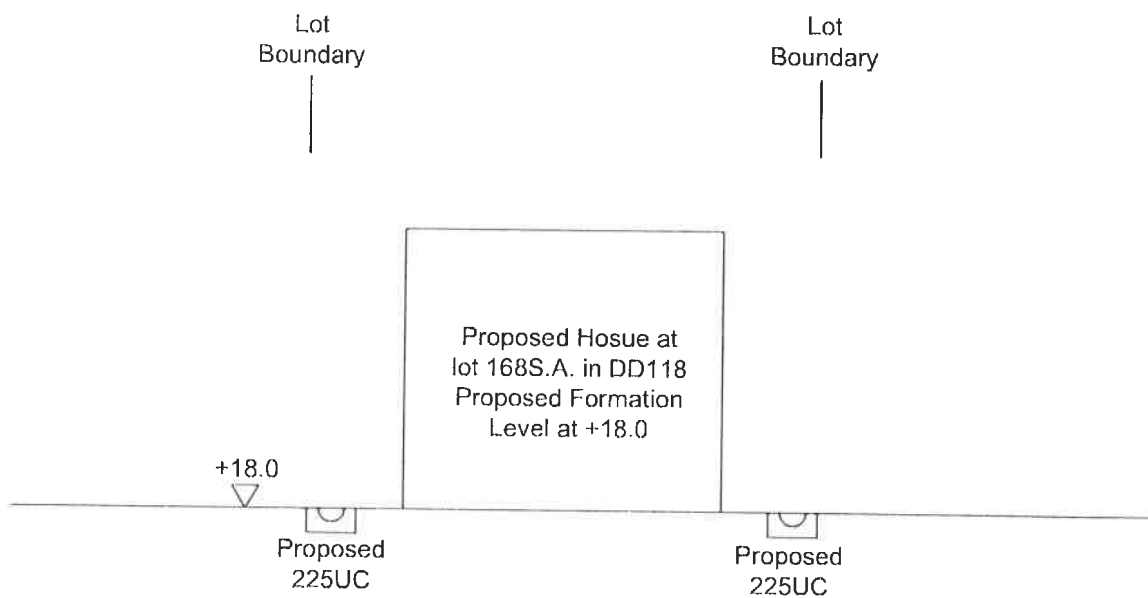
Project

Proposed Houses at Lot 168 S.A. in
D.D.118, Nam Hang Tsuen, Shap Pat
Heung, Yuen Long, N.T.

Title:		Drainage Proposal	DD118-D168A
Drawn by:	DM	Date:	-----
Check by:	DM	Scale:	----



Section A-A



Section B-B

毅達工程顧問有限公司
A-Tech ENGINEERING
CONSULTANTS LTD.

Title:

Sections

DD118-D168A

Drawn by:

DM

Date:

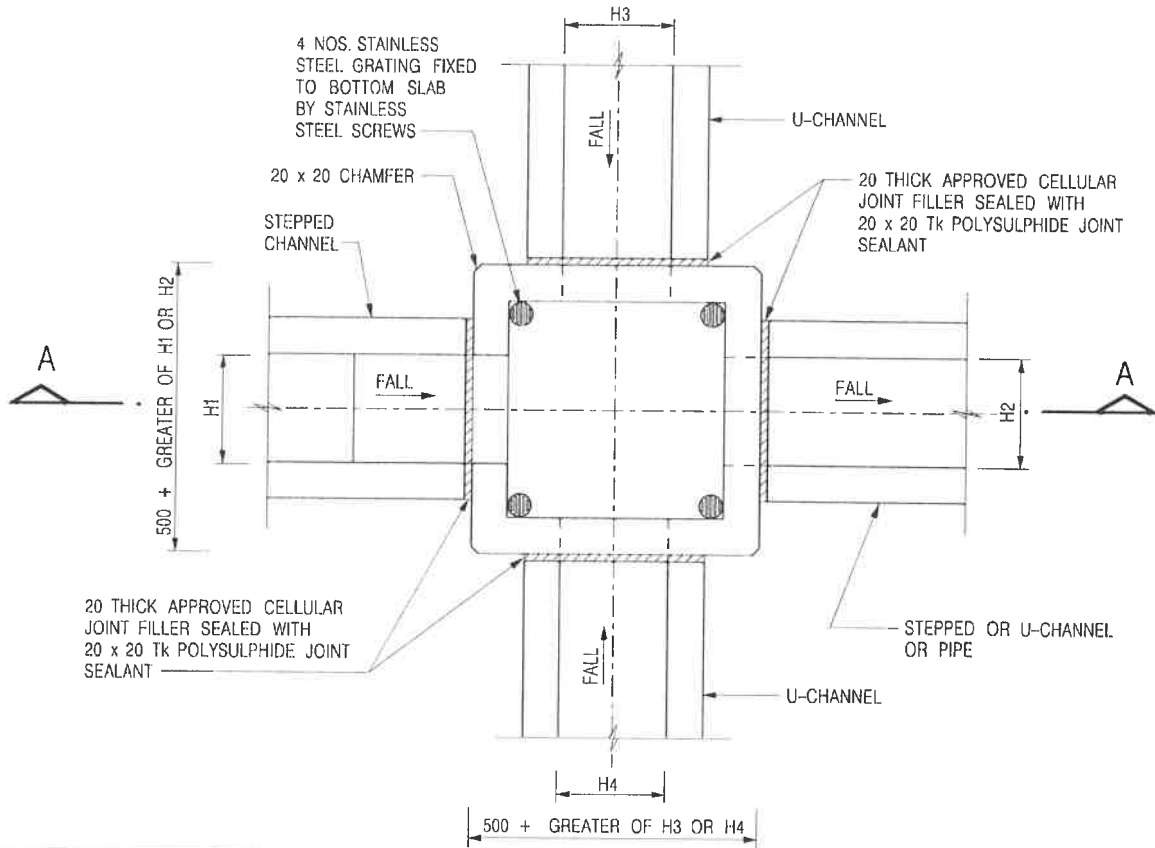
Check by:

DM

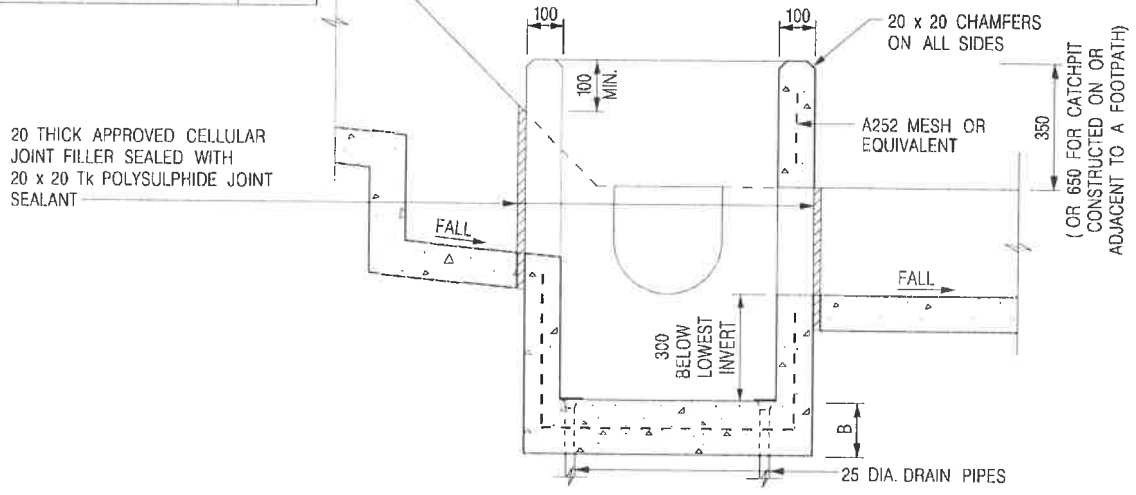
Scale:

Project

**Proposed Houses at Lot 168 S.A. in
D.D.118, Nam Hang Tsuen, Shap Pat
Heung, Yuen Long, N.T.**



NOMINAL SIZE (LARGEST OF H1, H2, H3 & H4)	B
300 - 600	150
675 - 900	175



- NOTES:**
1. ALL DIMENSIONS ARE IN MILLIMETRES.
 2. REFER TO SHEET 2 FOR OTHER NOTES.

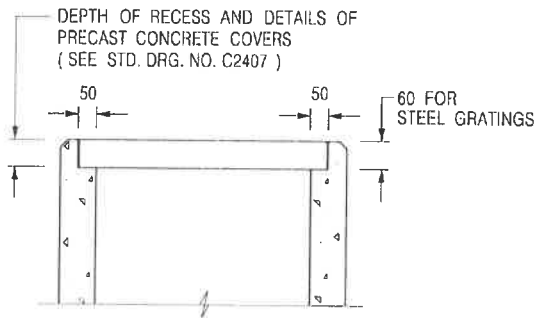
CATCHPIT WITH TRAP
(SHEET 1 OF 2)

-	FORMER DRG. NO. C2406J.	Original Signed	03.2015
REF.	REVISION	SIGNATURE	DATE

CEDD CIVIL ENGINEERING AND DEVELOPMENT DEPARTMENT

SCALE 1 : 20
DATE JAN 1991

DRAWING NO.
C2406 /1




ALTERNATIVE TOP SECTION
FOR PRECAST CONCRETE COVERS / GRATINGS

NOTES:

1. ALL DIMENSIONS ARE IN MILLIMETRES.
2. ALL CONCRETE SHALL BE GRADE 20 /20.
3. CONCRETE SURFACE FINISH SHALL BE CLASS U2 OR F2 AS APPROPRIATE.
4. FOR DETAILS OF JOINT, REFER TO STD. DRG. NO. C2413.
5. CONCRETE TO BE COLOURED AS SPECIFIED.
6. UNLESS REQUESTED BY THE MAINTENANCE PARTY AND AS DIRECTED BY THE ENGINEER, CATCHPIT WITH TRAP IS NORMALLY NOT PREFERRED DUE TO PONDING PROBLEM.
7. UPON THE REQUEST FROM MAINTENANCE PARTY, DRAIN PIPES AT CATCHPIT BASE CAN BE USED BUT THIS IS FOR CATCHPITS LOCATED AT SLOPE TOE ONLY AND AS DIRECTED BY THE ENGINEER.
8. FOR CATCHPITS CONSTRUCTED ON OR ADJACENT TO A FOOTPATH, STEEL GRATINGS (SEE DETAIL 'A' ON STD. DRG. NO. C2405) OR CONCRETE COVERS (SEE STD. DRG. NO. C2407) SHALL BE PROVIDED AS DIRECTED BY THE ENGINEER.
9. IF INSTRUCTED BY THE ENGINEER, HANDRAILING (SEE DETAIL 'G' ON STD. DRG. NO. C2405; EXCEPT ON THE UPSLOPE SIDE) IN LIEU OF STEEL GRATINGS OR CONCRETE COVERS CAN BE ACCEPTED AS AN ALTERNATIVE SAFETY MEASURE FOR CATCHPITS NOT ON A FOOTPATH NOR ADJACENT TO IT. TOP OF THE HANDRAILING SHALL BE 1 000 mm MIN. MEASURED FROM THE ADJACENT GROUND LEVEL.
10. MINIMUM INTERNAL CATCHPIT WIDTH SHALL BE 1 000 mm FOR CATCHPITS WITH A HEIGHT EXCEEDING 1 000 mm MEASURED FROM THE INVERT LEVEL TO THE ADJACENT GROUND LEVEL. AND, STEP IRONS (SEE DSD STD. DRG. NO. DS1043) AT 300 c/c STAGGERED SHALL BE PROVIDED. THICKNESS OF CATCHPIT WALL FOR INSTALLATION OF STEP IRONS SHALL BE INCREASED TO 150 mm.
11. FOR RETROFITTING AN EXISTING CATCHPIT WITH STEEL GRATING, SEE DETAIL 'F' ON STD. DRG. NO. C2405.
12. SUBJECT TO THE APPROVAL OF THE ENGINEER, OTHER MATERIALS CAN ALSO BE USED AS COVERS / GRATINGS.

CATCHPIT WITH TRAP
(SHEET 2 OF 2)

-	FORMER DRG. NO. C2406J.	Original Signed	03.2015
REF.	REVISION	SIGNATURE	DATE
 CIVIL ENGINEERING AND DEVELOPMENT DEPARTMENT			
SCALE 1 : 20		DRAWING NO.	
DATE JAN 1991		C2406 /2	
We Engineer Hong Kong's Development			

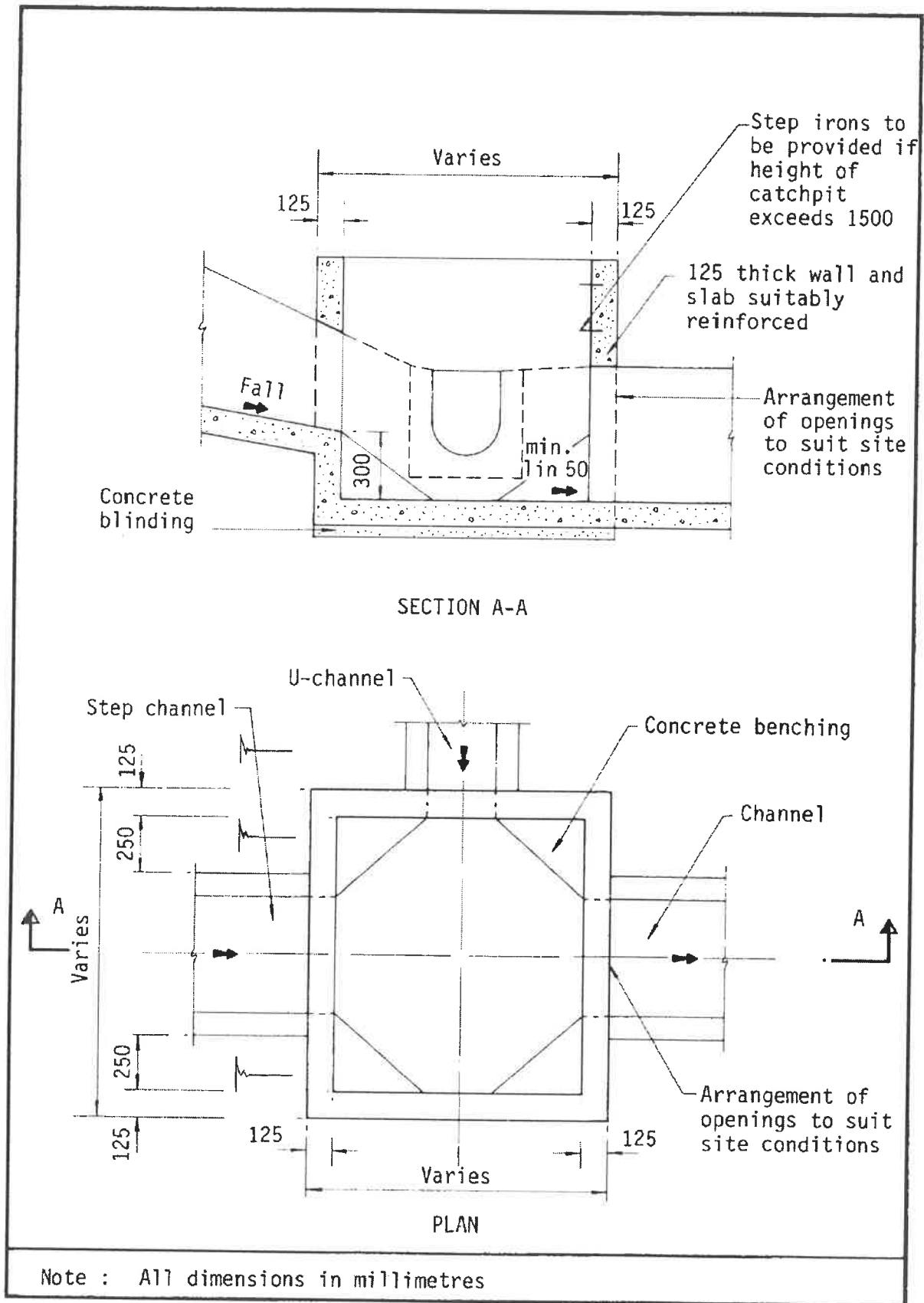
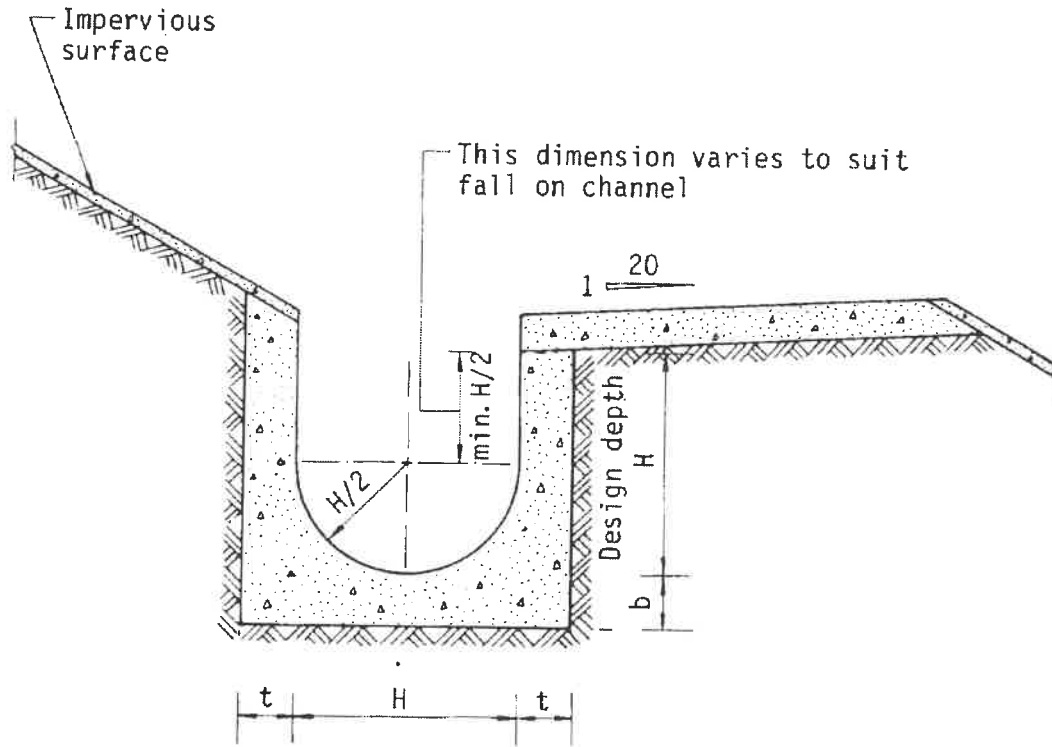


Figure 8.10 - Typical Details of Catchpits



Dimensions of U - channel

Nominal size of channel H (mm)	Thickness t (mm)	Thickness b (mm)
225 to 600	150	150
675 to 1200	175	225

Figure 8.11 - Typical U-channel Details

規 劃 署

屯門及元朗西規劃處
香港新界沙田上禾輦路一號
沙田政府合署 14 樓



By Fax (2478 5787) & Post Planning Department

Tuen Mun and Yuen Long West
District Planning Office
14/F, Sha Tin Government Offices,
1 Sheung Wo Che Road, Sha Tin, N.T.
Hong Kong

來函檔號 Your Reference
本署檔號 Our Reference () in TPB/A/YL-TT/386
電話號碼 Tel. No. : 2158 6298
傳真機號碼 Fax No. : 2489 9711

渠務報告接獲 27 January 2017

A-Tech Engineering Consultants Ltd.
Flat C, 2/F, Fung Yue Building
Kau Yuk Road,
Yuen Long, New Territories
(Attn.: Mr. WU)

Dear Sir/Madam,

Compliance with Approval Condition (c)

Planning Application No. A/YL-TT/386

I refer to your submission dated 22.12.2016 for compliance with the captioned approval condition on the submission and implementation of drainage proposal. The relevant department has been consulted on your submission. Your submission is considered:

- Acceptable. The captioned condition has been complied with.
- Acceptable. Please find detailed advisory departmental comments at **Appendix**. Since the captioned condition requires both the submission and implementation of the proposal, it has not been fully complied with. Please proceed to implement the accepted proposal for full compliance with the approval condition.
- Not acceptable. The captioned condition has not been complied with.

Should you have any queries on the departmental comments, please contact Ms. Anna TY YEUNG (Tel: 2300 1347) of Drainage Services Department or the undersigned.

Yours faithfully,


(Ms. Floria TSANG)

for District Planning Officer/
Tuen Mun and Yuen Long West
Planning Department

C.C.

CE/MN, DSD (Attn.: Ms. Anna T Y YEUNG)

(Ref: (002EV2) in MN 10/YL/DD118
dated 25.1.2017 and received on 26.1.2017)

Internal

CTP/TPB

APPENDIX**Comments of the Chief Engineer/ Mainland North, Drainage Services Department
(CE/MN, DSD)**

- a. You are reminded to note the following:
- i. You should implement the drainage facilities on site in accordance with the agreed drainage proposal.
 - ii. You are required to rectify the drainage system if they are found to be inadequate or ineffective during operation. You shall also be liable for and shall indemnify claims and demands arising out of damage or nuisance caused by a failure of the drainage system.
 - iii. The proposed development should neither obstruct overland flow nor adversely affect any existing natural streams, village drains, ditches and the adjacent areas.
 - iv. You should consult District Lands Officer/Yuen Long and seek consent from relevant lot owners for any works to be carried out outside your lot boundary before commencement of the drainage works.